

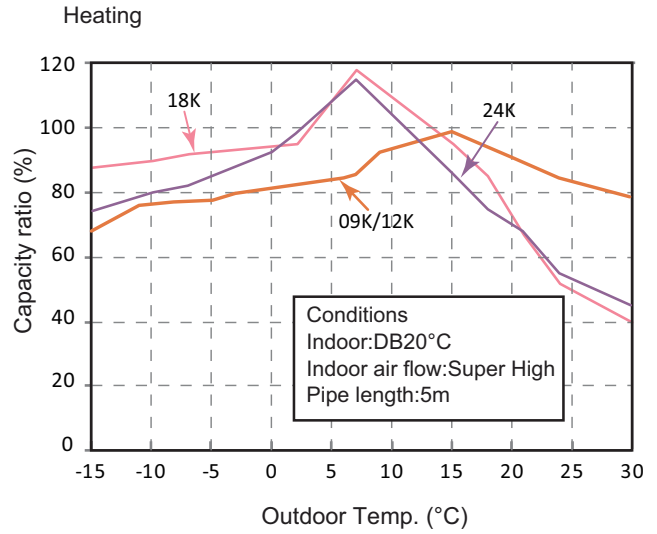
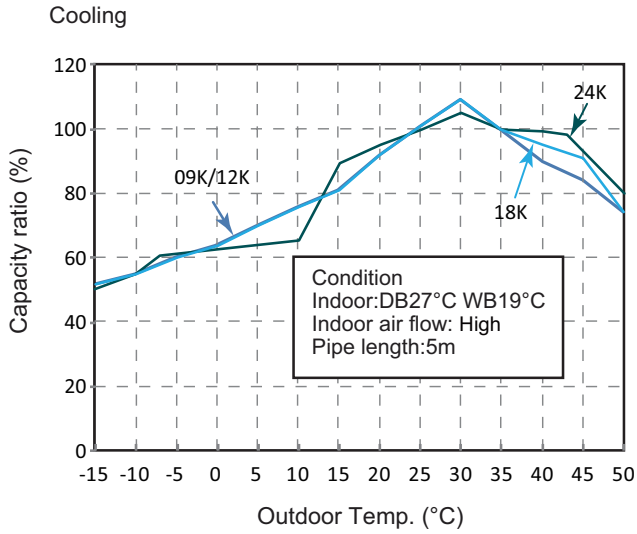
Model			GWH18YE-S6DBA1A GWH18YE-S6DBA2A
Product Code			CB437002702/CB437002703 CB466000410
Power Supply	Rated Voltage	V~	220-240
	Rated Frequency	Hz	50/60
	Phases		1
Power Supply Mode			Outdoor
Cooling Capacity		W	5300
Heating Capacity		W	5570
Cooling Power Input		W	1320
Heating Power Input		W	1320
Cooling Current Input		A	5.9
Heating Current Input		A	5.9
Rated Input		W	3300
Rated Cooling Current		A	13
Rated Heating Current		A	18
Air Flow Volume		m <sup>3</sup> /h	1200/1150/1050/950/850/780/600
Dehumidifying Volume		L/h	1.8
EER		W/W	4.02
COP		W/W	4.22
SEER		--	6.6
SCOP (Average/Warmer/Colder)		--	/
Application Area		m <sup>2</sup>	23-34
Indoor Unit	Model		GWH18YE-S6DBA1A/I GWH18YE-S6DBA2A/I
	Product Code		CB437N02700/CB437N02701 CB466N00402
	Fan Type		Cross-flow
	Fan Diameter Length(DXL)	mm	Φ108×830
	Cooling Speed	r/min	1200/1150/1100/1000/900/850/800
	Heating Speed	r/min	1250/1150/1100/1000/900/850/800
	Fan Motor Power Output	W	60
	Fan Motor RLA	A	0.24
	Fan Motor Capacitor	μF	/
	Evaporator Form		Aluminum Fin-copper Tube
	Evaporator Pipe Diameter	mm	Φ7
	Evaporator Row-fin Gap	mm	2-1.4
	Evaporator Coil Length (LXDXW)	mm	845×25.4×342.9
	Swing Motor Model		MP35CP/MP24HF
	Swing Motor Power Output	W	2.5/1.5
	Fuse Current	A	3.15
	Sound Pressure Level	dB (A)	Cooling: 48/45/43/40/37/35/33 Heating: 48/45/43/40/37/35/33
	Sound Power Level	dB (A)	Cooling: 60/57/55/52/49/47/45 Heating: 60/57/55/52/49/47/45
	Dimension (WXHXD)	mm	1101X327X249
	Dimension of Carton Box (LXWXH)	mm	1164X402X339
Dimension of Package (LXWXH)	mm	1167X405X354	
Net Weight	kg	16.5	
Gross Weight	kg	20	

Outdoor Unit	Outdoor Unit Model		GWH18YE-S6DBA2A/O	
	Outdoor Unit Product Code		CB466W00402	
	Compressor Manufacturer		ZHUHAI LANDA COMPRESSOR CO., LTD.	
	Compressor Model		QXFT-D20zF030	
	Compressor Oil		FW68DA	
	Compressor Type		Rotary	
	Compressor LRA.	A		30
	Compressor RLA	A		10.5
	Compressor Power Input	W		2260
	Compressor Overload Protector			/
	Throttling Method			Electron expansion valve
	Set Temperature Range	°C		16~30
	Cooling Operation Ambient Temperature Range	°C		-18~52
	Heating Operation Ambient Temperature Range	°C		-30~24
	Condenser Form			Aluminum Fin-copper Tube
	Condenser Pipe Diameter	mm		Φ7
	Condenser Rows-fin Gap	mm		2-1.4
	Condenser Coil Length (LXDXW)	mm		945×38.1×748
	Fan Motor Speed	rpm		820
	Fan Motor Power Output	W		90
	Fan Motor RLA	A		0.65
	Fan Motor Capacitor	μF		/
	Outdoor Unit Air Flow Volume	m <sup>3</sup> /h		4000
	Fan Type			Axial-flow
	Fan Diameter	mm		Φ550
	Defrosting Method			Automatic Defrosting
	Climate Type			T1
	Isolation			I
	Moisture Protection			IPX4
	Permissible Excessive Operating Pressure for the Discharge Side	MPa		4.3
	Permissible Excessive Operating Pressure for the Suction Side	MPa		2.5
	Sound Pressure Level	dB (A)		56
Sound Power Level	dB (A)		63	
Dimension(WXHXD)	mm		980X790X427	
Dimension of Carton Box (LXWXH)	mm		1080X485X840	
Dimension of Package(LXWXH)	mm		1083X488X855	
Net Weight	kg		62.5	
Gross Weight	kg		67.5	
Refrigerant			R32	
Refrigerant Charge	kg		1.5	
Connection Pipe	Connection Pipe Length	m	5	
	Connection Pipe Gas Additional Charge	g/m	40	
	Outer Diameter Liquid Pipe	inch	1/4	
	Outer Diameter Gas Pipe	inch	5/8	
	Max Distance Height	m	20	
	Max Distance Length	m	40	
Note: The connection pipe applies metric diameter.				

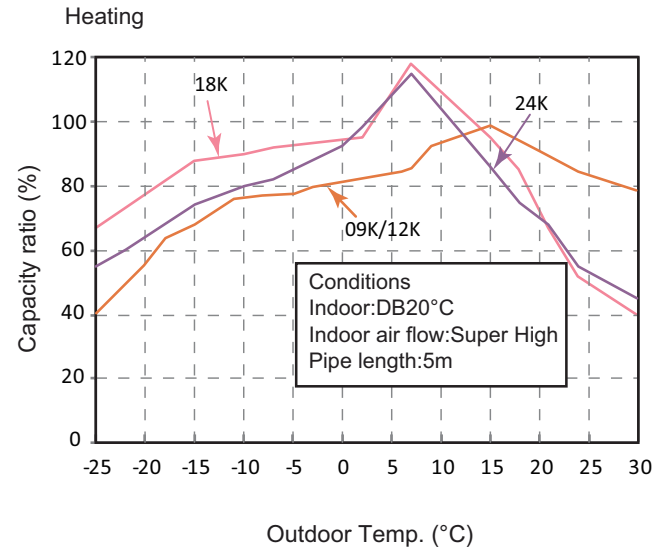
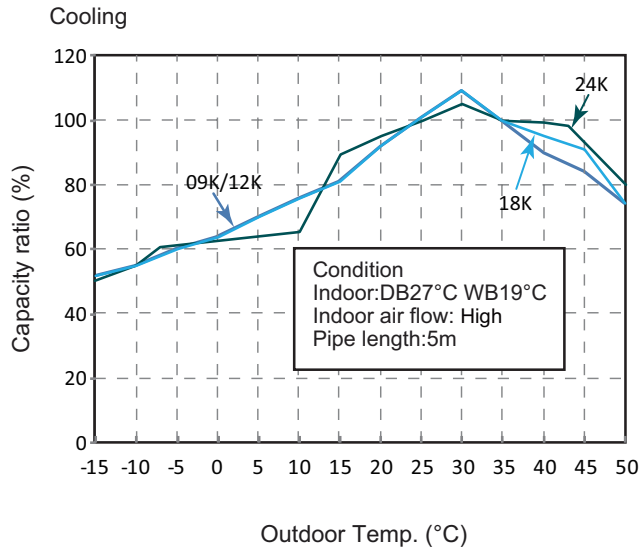
The above data is subject to change without notice. Please refer to the nameplate of the unit.

## 2.2 Capacity Variation Ratio According to Temperature

Heating operation ambient temperature range is -15°C~30°C

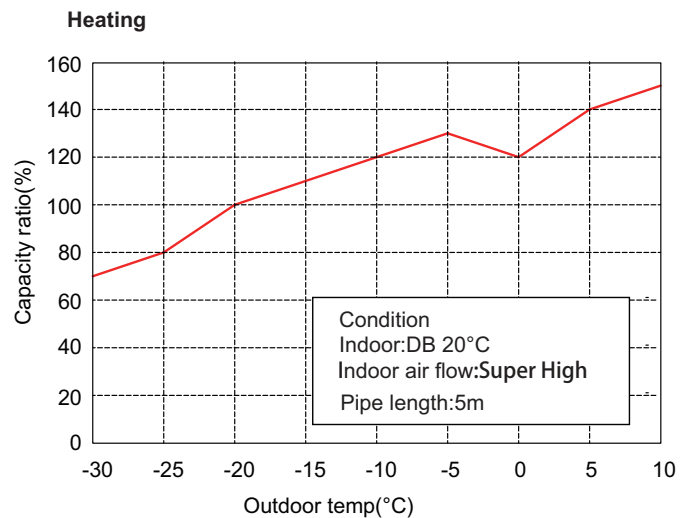
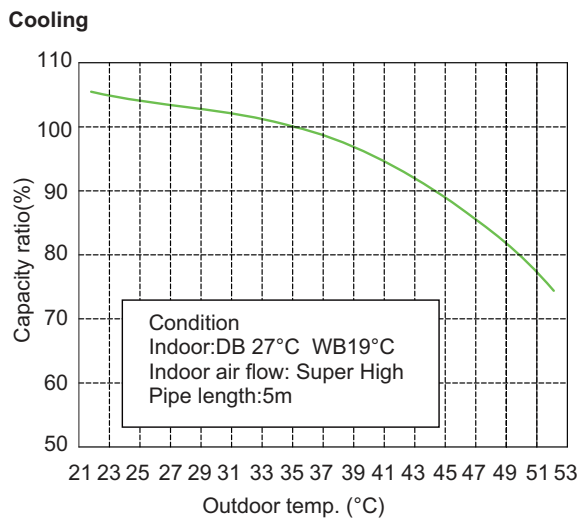


Heating operation ambient temperature range is -25°C~30°C



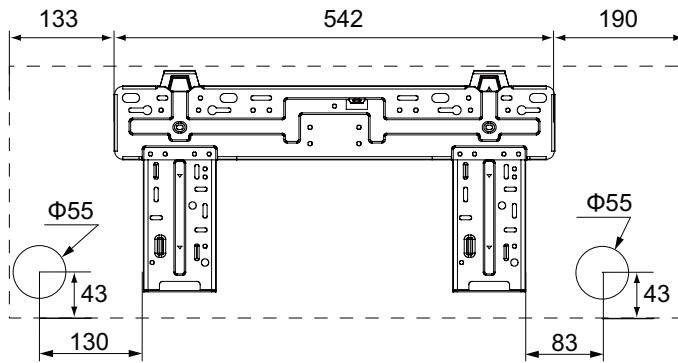
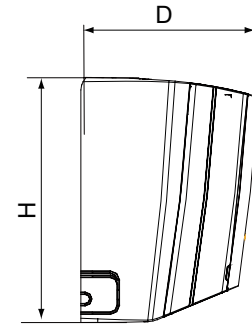
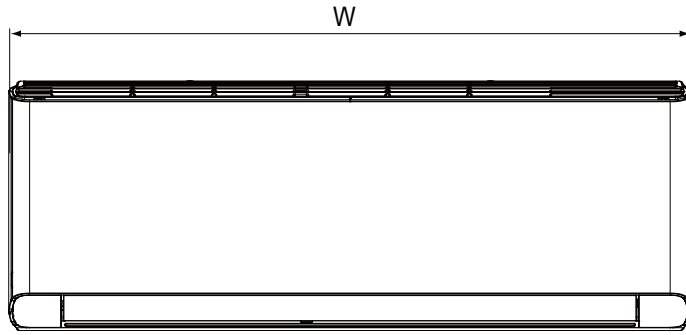
GWH18YE-S6DBA1A

GWH18YE-S6DBA2A

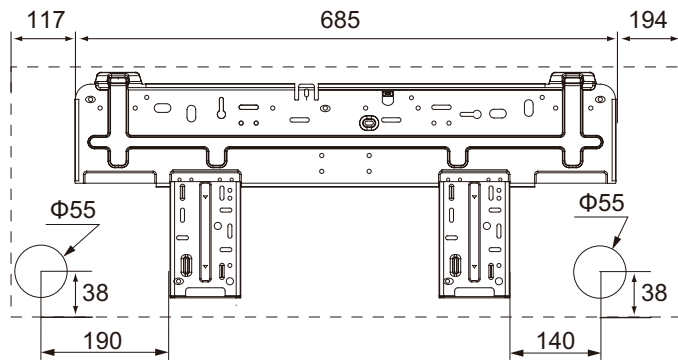


# 3. Outline Dimension Diagram

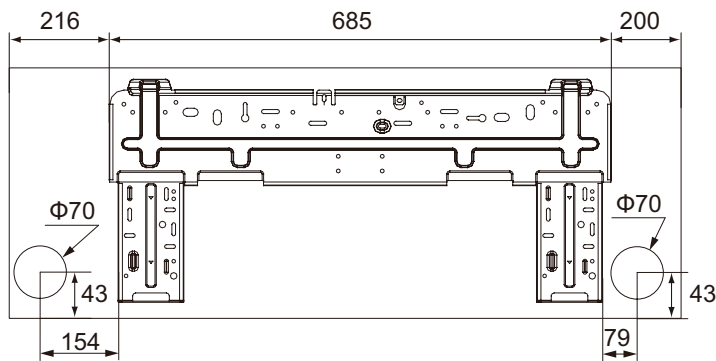
## 3.1 Indoor Unit



YC



YD



YE

Unit:mm

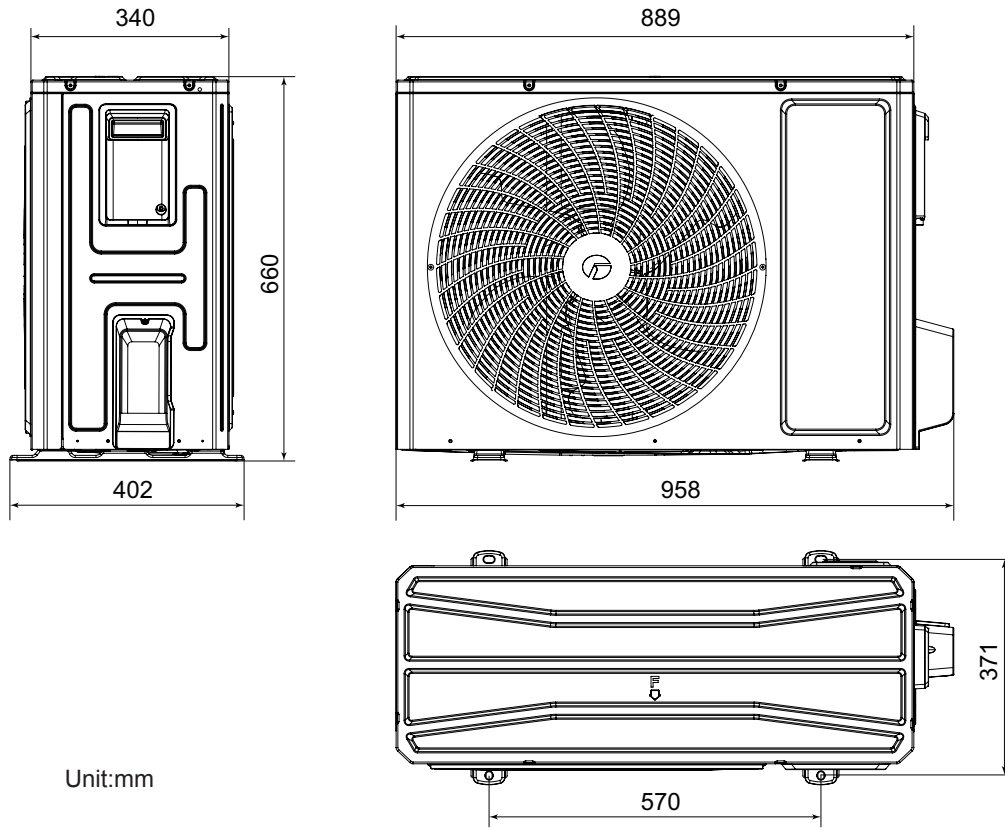
Model	W	H	D
YC	865	290	210
YD	996	301	225
YE	1101	327	249

GWH18ACDXF-K6DNA1A/O  
GWH24YEXF-K6DNA1Z/O

GWH18YDXF-K6DNA1B/O

GWH18YDXF-K6DNA1Z/O

GWH24YEXF-K6DNA1D/O



GWH18YE-S6DBA2A/O

